

CSP 412 T/EN

IN-CEILING SPEAKER

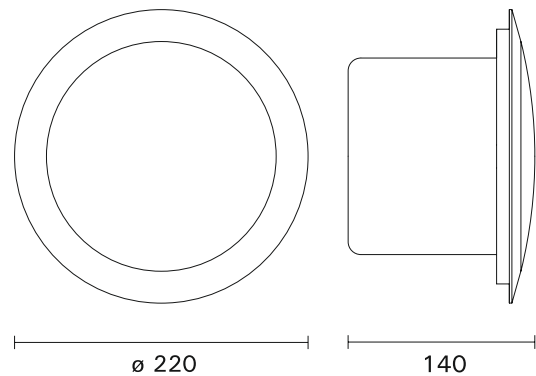
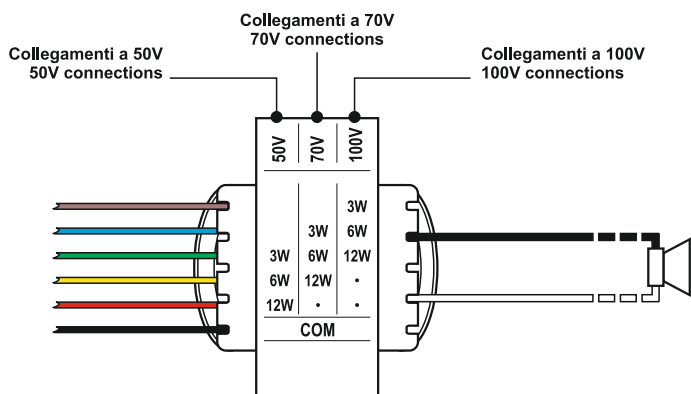
Description

The CSP 412 T/EN speaker units, suitable for mounting in false ceilings, ensure excellent reproduction of both speech and music. Made of stamped metal sheeting treated with white scratchproof and non-reflecting paint, they will fit elegantly into any environments. The unit consists of a load-bearing ring with quick fitting hooks with springs for easy securing to the ceiling. The central mask with the loudspeaker cabled to the line transformer fits into the ring with a handy turning movement. According to the specification of the EN 54-24 voice evacuation system, this speaker has a double-galvanized steel flameproof cap, combined with ceramic input/output terminal strips, a thermal fuse and a ground termination. The built-in transformer enables connection to constant voltage lines at 100, 70 and 50V with the adjustable outputs.

EN 54 - 24



Connections



Specifications

Rated output power	12 W
Adjustable output power	12 - 6 - 3 W
Line voltage	50 - 70 - 100 V
Frequency response	80 ÷ 20.000 Hz
Efficiency (1W/1m)	95 dB
Acoustic pressure (Pnom/1m)	105 dB
Dispersion angle (2 kHz)	130°
Diameter of installation hole	200 ÷ 205 mm
Dimensions (Ø x H)	220 x 95 mm
Weight	1,45 kg