

ACT-70T Wideband Bodypack Transmitter

Key Features

- Stable PLL circuit. Synchronized with the receiver's frequency by MIPRO's patented ACT™ function automatically.
- Expanded to 72 MHz bandwidth for compatibility with ACT-71/72/74 receivers.
- Industry's smallest bodypack transmitter with sturdy magnesium alloy housing for 2 AA batteries.
- Antenna, mute button and XLR input connector are located on the top of transmitter.
- Backlit LCD displays group, channel, frequency, AF input gain, RF output power, mute, battery status, lock and error codes.
- Innovatively designed battery cover allows easy access to operate buttons and prevents accidental operation.
- Built-in mute button and remote-control jack options for easy mute activation.
- Can be directly matched to high-low input impedance for microphone and guitar without switching and the input sensitivity is adjustable.
- Six selectable gain settings.
- Mini-XLR input connector for quick-lock or screw-lock with lavalier or headworn microphones and guitar.
- Adjustable belt clip allows wearing transmitter in up or down position.



Microphones

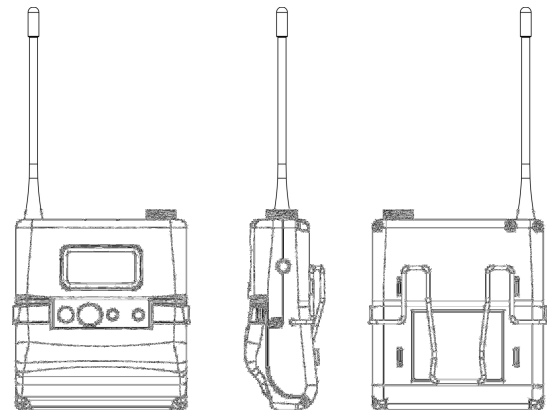
MU-13	Single-sided Earworn Microphone
MU-23	Omni-directional Headworn Microphone
MU-210	Uni-directional Cardioid Headworn Microphone
MU-53L	Uni-directional Lavalier Microphone
MU-55L	Omni-directional Lavalier Microphone
MU-53HN	Uni-directional Cardioid Headworn Microphone
MU-55HN	Omni-directional Headworn Microphone

Accessories

ASP-30	Aerobics Bodypack Pouch (Neoprene)
MJ-70	Remote Mute Switch
MU-40G	Instrument Cable
TC-18	Transmitter Shielding Storage Case

Technical Specifications

Housing	Magnesium Alloy
Frequency Range	US Band: UHF 482~698MHz EU Band: UHF 482~790MHz
Oscillation Mode	PLL Synthesized
Bandwidth	72MHz
Channel Set-Up	ACT Sync
RF Output Power	10mW/50mW (switchable)
Spurious Emissions	< -55dBc
Max. Input Level	0dBV
Gain Setting	+12dB, +6dB, 0dB, -6dB, -12dB, -18dB (6 settings). 0dB= input microphone sensitivity
Mute Connector	Optional MJ-70 remote mute switch
Battery	2 AA alkaline
Dimensions	63(W)× 70(H)×25(D)mm / 2.5(W)×2.8(H)×1.0(D)"
Weight	Approx. 78g / 2.7oz (excluding batteries)
Patents & Approvals	Patented. Telecom and safety regulations approved.



MIPRO Electronics Co., Ltd

Headquarters: 814 Pei-kang Road, Chiayi, 60096, Taiwan
Tel: +886.5.238.0809 | Fax: +886.5.238.0803
www.mipro.com.tw | mipro@mipro.com.tw